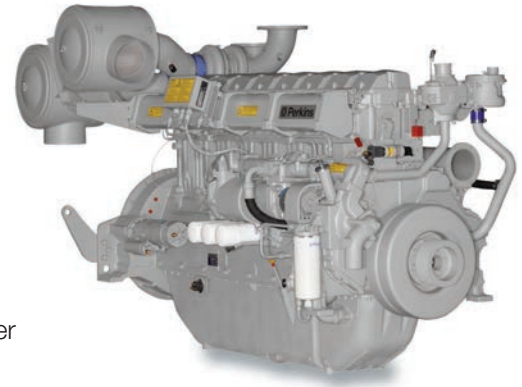


4000 Series 4008TAG1A Diesel Engine – Electropak

844 kWm @ 1500 rpm

The Perkins 4000 Series family of 6, 8, 12 and 16 cylinder diesel engines was designed in advance of today's uncompromising demands within the power generation industry and includes superior performance and reliability.

The 4008TAG1A/2A Electropaks are turbo-charged, air-to-air charge cooled, 8 cylinder in-line diesel engines. Offered with either Temperate or Tropical cooling packages (with or without fuel cooling). Their premium design and specification features provide economic and durable operation as well as exceptional power to weight ratio, improved serviceability, low gaseous emissions, overall performance and reliability essential to the power generation market.



Specification			
Number of cylinders	8 vertical in-line		
Bore and stroke	160 x 190 mm	6.3 x 7.5 in	
Displacement	30.561 litres	1865 in ³	
Aspiration	Turbocharged and air-to-air charge cooled		
Cycle	4 stroke		
Combustion system	Direct injection		
Compression ratio	13.6:1		
Rotation	Anti-clockwise, viewed from flywheel end		
Total lubricating capacity	153 litres	40.4 US gal	
Cooling system	Water-cooled		
	Temperate cooling		Tropical cooling
Total coolant capacity	143 litres	37.8 US gal	149 litres 39.4 US gal

www.perkins.com

Photographs are for illustrative purposes only and may not reflect final specification.
All information in this document is substantially correct at time of printing and may be altered subsequently.
Final weight and dimensions will depend on completed specification.

Publication No. PN1832A/12/14 Produced in England ©2014 Perkins Engines Company Limited

 **Perkins**[®]

THE HEART OF EVERY GREAT MACHINE

4000 Series 4008TAG1A Diesel Engine – ElectropaK

844 kWm @ 1500 rpm

Features and benefits

Economic power

- Individual four valve per cylinder heads give optimised gas flows, whilst digitally governed unit fuel injectors ensure ultra fine fuel atomisation and hence controlled rapid combustion, for efficiency and economy
- Commonality of components with other engines in the 4000 Series family allows reduced parts stocking levels

Reliable power

- Developed and tested using latest engineering techniques
- Piston temperatures are controlled by an advanced gallery jet cooling system
- All engines are tolerant of a wide range of temperatures without derate
- Perkins global product support is designed to enhance the customer experience of owning a Perkins powered machine. We deliver this through the quality of our distribution network, extensive global coverage and a range of Perkins supported OEM partnership options. So whether you are an end-user or an equipment manufacturer our engine expertise is essential to your success

Clean, efficient power

- Exceptional power to weight ratio and compact size for easier transportation and installation
- New designed radiator assemblies with corrosion inhibiting powder coated surfaces; fewer pipe joints and easier access to reduce maintenance times
- Designed to provide excellent service access for ease of maintenance
- Engines designed to comply with major international standards
- Low gaseous emissions for cleaner operation

www.perkins.com

Photographs are for illustrative purposes only and may not reflect final specification.
All information in this document is substantially correct at time of printing and may be altered subsequently.
Final weight and dimensions will depend on completed specification.

Publication No. PN1832A/12/14 Produced in England ©2014 Perkins Engines Company Limited

 **Perkins**[®]

THE HEART OF EVERY GREAT MACHINE

4000 Series 4008TAG1A Diesel Engine – Electropak

844 kWm @ 1500 rpm

Technical information

Air inlet

- Mounted oil filters and turbochargers

Fuel system

- Unit fuel injectors with lift pump and hand stop control
- Digital electronic governor to ISO 3046 Part 4 Class A1
- Full-flow spin-on fuel oil filters

Lubrication system

- Wet sump with filler and dipstick
- Full-flow spin-on oil filters
- Engine jacket water/lub oil temperature stabiliser

Cooling system

- Gear driven circulating pump
- Twin thermostats
- Crankshaft pulley for fan drive
- Powder coated radiator assemblies comprising: water radiator; air charge cooled radiator; fuel oil cooling (optional); all pipes, hoses and clips; fan; pulley; fan belts and safety guards

Electrical system

- 24 volt starter motor and 24 volt/40 amp alternator with integral regulator and DC output
- 24 volt combined high coolant temperature/low oil pressure switch
- Overspeed switch and magnetic pickup
- Turbine inlet temperature shutdown switch
- 24 volt stop solenoid (energised to run)

Flywheel and housing

- Flywheel to SAE J620 size 18
- SAE 0 flywheel housing

Optional equipment

Other optional extra equipment available:

Choice of Temperate or Tropical radiators available dependent on operational cooling requirements

Fuel oil cooling radiator available integral to radiator assemblies

Twin heavy duty air cleaner – paper element with pre-cleaner

Changeover lubricating oil filter

Changeover fuel oil filter

Immersion heater with thermostat

Air starters

Instrument panel

Note: This list is not exhaustive, further options may be available to meet particular applications on enquiry to Perkins Sales Department

www.perkins.com

Photographs are for illustrative purposes only and may not reflect final specification.
All information in this document is substantially correct at time of printing and may be altered subsequently.
Final weight and dimensions will depend on completed specification.

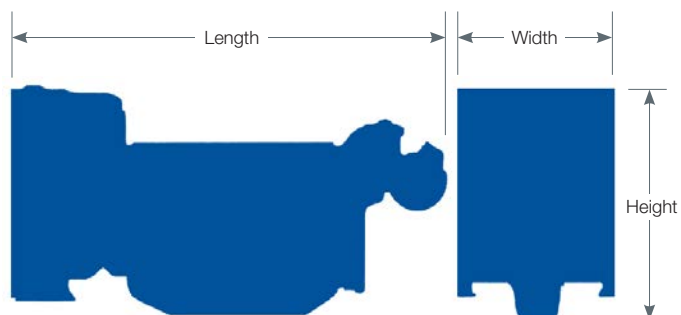
Publication No. PN1832A/12/14 Produced in England ©2014 Perkins Engines Company Limited

 **Perkins**[®]

THE HEART OF EVERY GREAT MACHINE

4000 Series 4008TAG1A Diesel Engine – ElectropaK

844 kWm @ 1500 rpm



Engine package weights and dimensions				
	Temperate cooling		Tropical cooling	
Length	3852 mm	151.7 in	3711 mm	146 in
Width	2046 mm	80.5 in	2046 mm	80.5 in
Height	2067 mm	81.3 in	2146 mm	84.5 in
Weight (dry)	4270 kg*	9414 lb	4320 kg*	9524 lb

* For fuel cooler, add 6 kg

www.perkins.com

Photographs are for illustrative purposes only and may not reflect final specification.
All information in this document is substantially correct at time of printing and may be altered subsequently.
Final weight and dimensions will depend on completed specification.

Publication No. PN1832A/12/14 Produced in England ©2014 Perkins Engines Company Limited

 **Perkins**[®]

THE HEART OF EVERY GREAT MACHINE

4000 Series 4008TAG1A Diesel Engine – Electropak

844 kWm @ 1500 rpm

Speed rpm Radiator type	Type of operation	Typical generator output (Net)		Engine power			
				Gross		Net	
		kVA	kWe	kWm	hp	kWm	hp
1500 Tropical	Baseload power	720	576	644	864	606	813
	Prime power	911	728	805	1080	767	1029
	Standby (maximum)	1002	802	882	1183	844	1132

The above ratings represent the engine performance capabilities guaranteed within plus or minus 3% at the reference conditions equivalent to those specified in ISO 8528/1, ISO 3046/1, BS5514/1.

Rating conditions: 25°C air inlet temperature, barometric pressure 100 kPa, relative humidity 30%. Please consult your distributor or the factory for ratings in other ambient conditions. **Note:** For full ratings please refer to Perkins Engines Company Limited. All electrical ratings are based on an average alternator efficiency and a power factor of 0.8. **Full specification:** BS2869: Class A1 + A2 or ASTM D975 No 2D.

Rating definitions

Baseload power: Power available for continuous full load operation. No overload is permitted. **Prime power:** Power available for variable load with an average load factor not exceeding 80% of the prime power rating in any 24 hour period. Overload of 10% permitted for one hour in every twelve hours operation. **Standby (maximum):** Power available at variable load in the event of a main power network failure up to a maximum of 500 hours per year. No overload is permitted.

Percent of prime power	Fuel consumption for temperate and tropical at 1500 rpm	
	g/kWh	l/hr
Standby (maximum)	210	218
Prime power	206	195
Continuous baseload power	203	154
75%	201	143
50%	207	98

www.perkins.com

Photographs are for illustrative purposes only and may not reflect final specification. All information in this document is substantially correct at time of printing and may be altered subsequently. Final weight and dimensions will depend on completed specification.

Publication No. PN1832A/12/14 Produced in England ©2014 Perkins Engines Company Limited



THE HEART OF EVERY GREAT MACHINE